

# S-Series Switches

S-Series rocker switches are designed for use in the enclosed cabs of today's trucks, with special focus afforded to the vehicle operator. With features including abbreviated travel ½ throw actuation, ergonomic rockers, illumination in up to three detent switch positions, and a non-teasable snap action circuit, these switches provide the driver with easily recognizable and simple to operate controls. Designers will appreciate the 10A, 24VDC rating, space saving compact envelope, clean bezel-less design, integrated low insertion force connector and polarized switch base for quick installation. Most any illumination and switch circuitry is easily accommodated with the S-Series 10 terminal base. These great features, combined with over 1,000 available laser etched or pad-printed legends, allow the S-Series to be seamlessly incorporated into just about any cab interior environment.

#### Applications:

- ♦ On-Highway Transportation Equipment
- ♦ Agricultural Equipment
- ♦ Construction Equipment
- ♦ Marine



#### Features:

- ♦ Abbreviated travel ½ throw actuation
- ♦ Ergonomic rockers
- ♦ Recognizable and simple to operate controls
- ♦ Compact Design



**Carling Technologies®**

Innovative Designs. Powerful Solutions.

Innovative Designs. Powerful Solutions.

Carling Technologies, Inc.  
60 Johnson Avenue • Plainville, CT 06062-1177  
Phone: (860) 793-9281 • Fax: (860) 793-9231  
Email: [sales@carlingtech.com](mailto:sales@carlingtech.com) • [www.carlingtech.com](http://www.carlingtech.com)

### Electrical

Contact Rating	10A@ 24VDC
Dielectric Strength	1500 Volts RMS between pole to pole
Insulation Resistance	50 Megaohms
Contact Resistance	10 milliohms max. @ 4VDC
Contact Bounce	<20 milliseconds
Life	100,000 cycles maintained circuit, 50,000 cycles momentary circuit at rated voltage and current gold plated
Circuitry	SP, DP 2 & 3 position, 1/2 or full throw
Terminals	.110 Tabs, Silver Plated Brass

### Mechanical

Endurance	250,000 cycles minimum
-----------	------------------------

### Physical

Lighted	LED - rated 100,000 hours 1/2 life (LED is internally ballasted for voltages to 24VDC.)
Bracket	Acetal
Base	Nylon 66 GF
Rocker	Polycarbonate
Weight	25 gms max.

### Connector

Amp/Tyco MCP 2.8 receptacle housing P/N 1418994-1 mates with Amp/Tyco MCP 2.8 flat type receptacle. Based on wire size, choose P/N below:

1-968880-1	20-24 awg wire
1-968849-1	17-20 awg wire
1-968851-1	13.5-17 awg wire

### Actuator Travel (Angular Displacement)

2 position (1/2 throw)	12°
3 position (full throw)	12° from center

### Environmental

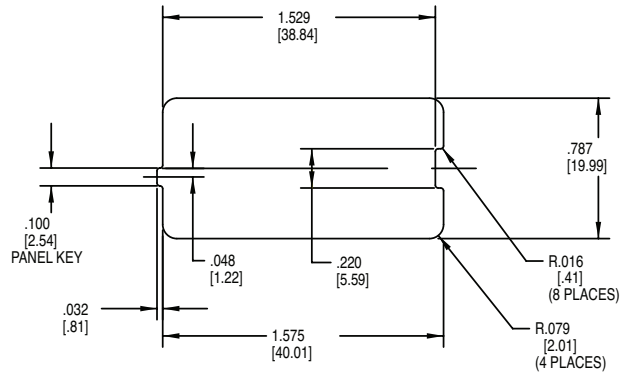
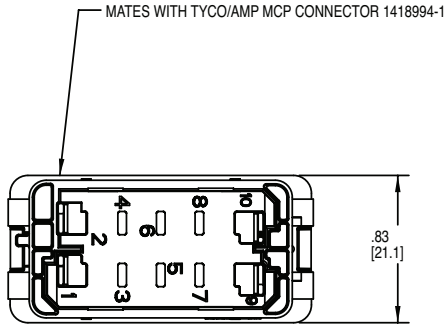
Operating Temperature	-40°C to +85°C
Vibration	Per IEC 68-2.6 test Fc and 68-2.47 Test Criteria - no noise or contact chatter below 10ms.
Cold Test	Per IEC 68-2-1 -40°C for 72 hours Test Criteria - pre & post test contact resistance.
Dry Heat Test Criteria	Per IEC 68-2-2 + 85°C for 72 hours Test Criteria - no loss of circuit during test, pre & post test contact resistance.
Handling Shock	Drop from height of 1 meter, 3 times, 4 sides. Test criteria - No loss of circuit during test, pre & post test contact resistance.
Thermal Shock	Per IEC 68-2-14, -40°C to +85°C. Test criteria - pre & post test contact resistance.

### Mounting Specifications

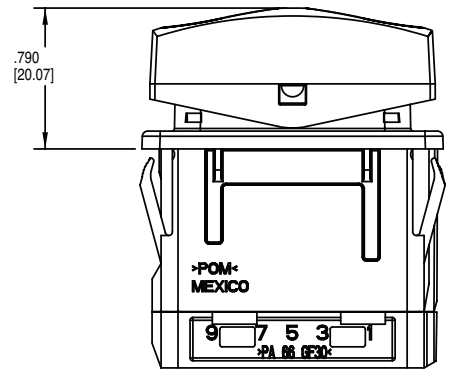
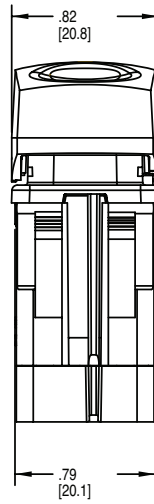
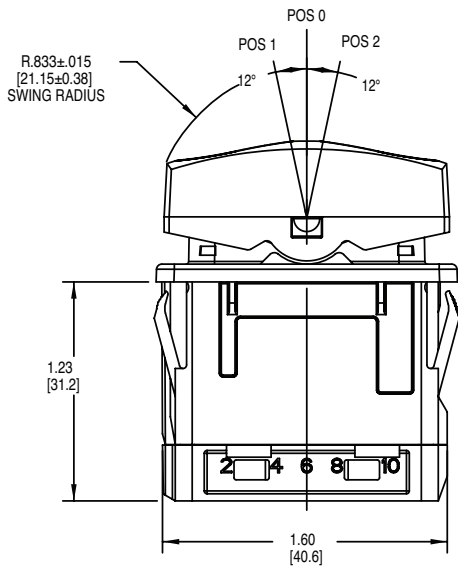
Snap in Mount	40mm x 20mm keyed hole (see dimensional specifications for details.)
---------------	--



## Dimensional Specifications: in. [mm]



PANEL THICKNESS: 2.5±0.1mm  
PANEL OPENING CLEARANCE: ±5°  
SCALE 2.000



REV\_SW\_S\_1112