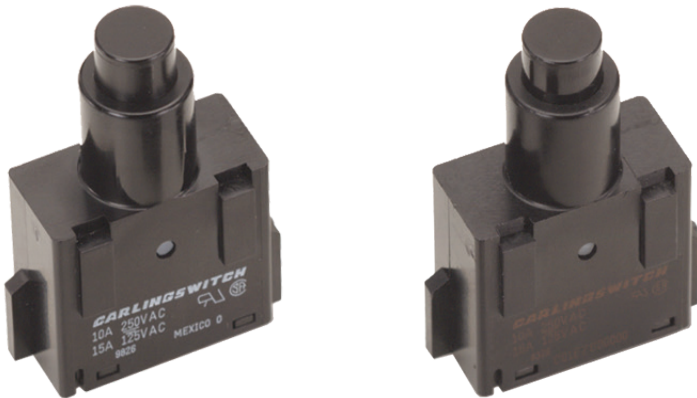


PP-Series

Pushbutton Switches

The PP-Series plastic pushbutton switches are heavy duty, single pole switches with wire leads. They are alternate action, available in single throw construction, with AC ratings up to 15 amps. Both bushing and bracket are made out of nylon. These high current switches are popular within the Appliance market.



Carling Technologies®

Innovative Designs. Powerful Solutions.

Innovative Designs. Powerful Solutions.

Carling Technologies, Inc.
60 Johnson Avenue • Plainville, CT 06062-1177
Phone: (860) 793-9281 • Fax: (860) 793-9231
Email: sales@carlingtech.com • www.carlingtech.com

Dielectric Strength

UL/CSA: 1000V - live to dead metal parts & opposite polarity

Electrical Life

50,000 cycles

Mechanical Life

100,000 cycles

Operating Temperature

32°F to 185°F (0°C to 85°C)

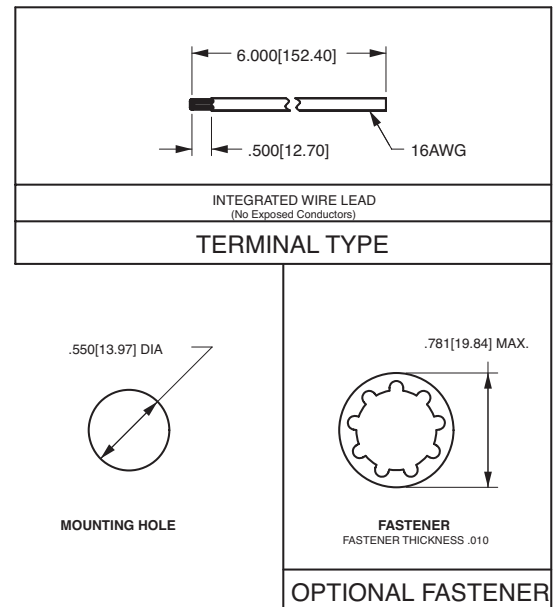
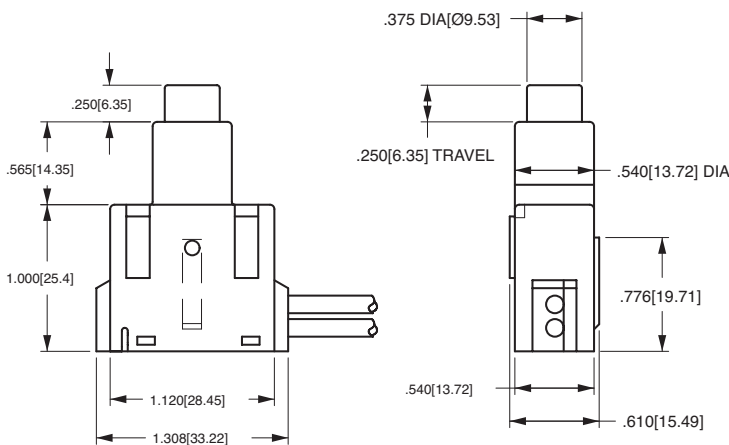
PPA525-AC

¹
Part Number

1 PART NUMBER: SERIES/ACTUATOR/CIRCUITRY/RATING/TERMINATION

10A 250VAC, 15A 125VAC, 3/4HP 125-250VAC
On-Off
10A 250VAC, 15A 125VAC
On-Off

Screw Terminals
PPA525-AC
PAA515-AC



*Manufacturer reserves the right to change product specification without prior notice.