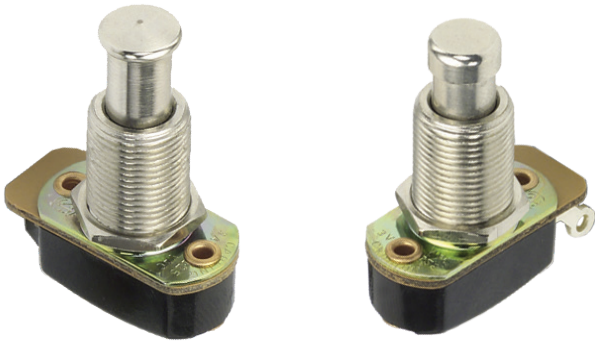


16-3P-Series

Pushbutton Switches

The 16-3P-Series pushbutton switches are single pole and AC rated up to 3 amps. These momentary action switches have a slow-make, slow-break contact mechanism and require only light actuation force (4 oz. - 1 lb.). These switches are typically used in general purpose applications requiring finger actuation.



Carling Technologies®

Innovative Designs. Powerful Solutions.

Innovative Designs. Powerful Solutions.

Carling Technologies, Inc.
60 Johnson Avenue • Plainville, CT 06062-1177
Phone: (860) 793-9281 • Fax: (860) 793-9231
Email: sales@carlingtech.com • www.carlingtech.com

Dielectric Strength

UL/CSA: 1000V - live to dead metal parts

Electrical Life

25,000 cycles

Mechanical Life

100,000 cycles

Operating Temperature

32°F to 185°F (0°C to 85°C)

16-3POFF - **4** - **CBL**

¹
Base Part Number

²
Bushing

³
Actuator Style

1 BASE PART NUMBER: SERIES/POLES/CIRCUITRY/ RATING/TERMINATION

Single Pole

3A 125VAC

Off-(On)
Off-(On) with overtravel ¹
On-Off

Solder Lug

Wire Leads

16-3P Off 16-3AP Off
16-3P Off-Ov 16-3AP Off-Ov
16-3P On 16-3AP On

1A 125VAC

On-On
On-On with overtravel ¹
1 On-1 Off (2 circuit)
1 On-1 Off with overtravel 1 (2 circuit)

116-P 116-AP
116-P-OV 116-AP-OV
516-P 516-AP
516-P-OV 516-AP-OV

2 BUSHING STYLE

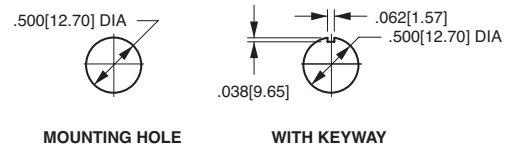
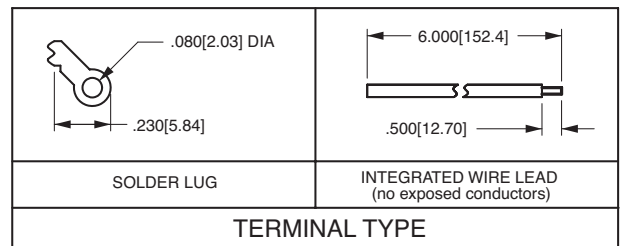
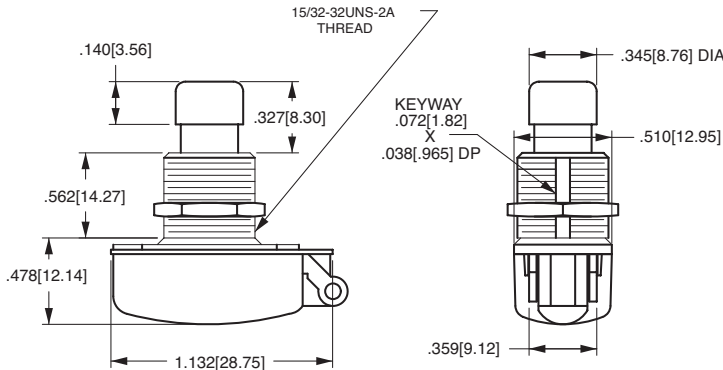
2 .312 length
4 .562 length

3 ACTUATOR STYLE²

CBL black plastic color cap
CRD red plastic color cap

Notes:

- 1 Overtravel only available with #4 bushing.
- 2 When selection 3 is left blank, a standard nickel plated plunger is supplied.
- () Indicates momentary function.



*Manufacturer reserves the right to change product specification without prior notice.