

# Curvette LRA-Series

## Single Pole Lighted Rocker & Paddle Switches

Since its introduction, the Curvette switch has become the barometer for versatility and performance in the miniature switch market. This lighted version features the very same self cleaning contacts, International approvals, along with a wide variety of circuits, ratings, and actuator options that make the Curvette the switch of choice for sundry markets including HVAC, Office Lighting, Transportation, Commercial Food and Lawn & Garden.



**Carling Technologies®**

Innovative Designs. Powerful Solutions.

Innovative Designs. Powerful Solutions.

Carling Technologies, Inc.  
60 Johnson Avenue • Plainville, CT 06062-1177  
Phone: (860) 793-9281 • Fax: (860) 793-9231  
Email: [sales@carlingtech.com](mailto:sales@carlingtech.com) • [www.carlingtech.com](http://www.carlingtech.com)

### Dielectric Strength

UL/CSA:  
1000V-live to dead metal parts  
VDE:  
4000V - live to dead metal parts;  
750V - across open contacts

### Electrical Life

100,000 cycles

### Mechanical Life

100,000 cycles

### Operating Temperature

32°F to 185°F (0°C to 85°C)

**LRA911 - R S - B / 250N**

1 Base Part Number      2 Actuator Style      3 Actuator Color      4 Bezel Color/Style      5 Lamp Voltage

#### 1 BASE PART NUMBER: SERIES/CIRCUITRY/RATING<sup>2</sup>/TERMINATION

125 neon lamp (use 125N in Selection 5 Lamp Voltage)  
**10A 250VAC; 16A 125VAC; 10(4)A 125VAC<sup>u</sup>**  
 OFF-NONE-ON Solder Lugs .250 Tabs Wire Leads  
**LRA210 LRA211 LRA215**  
 250 neon lamp (select 250N in selection 5 Lamp Voltage)  
**15A 250 VAC; 10A 250VAC; 16A 125VAC; 10(4)A 250 T85**  
 OFF-NONE-ON Solder Lugs .250 Tabs Wire Leads  
**LRA910 LRA911 LRA915**  
 Incandescent lamp (select 006V-024V in selection 5 Lamp Voltage)  
**10A 30V**  
 OFF-NONE-ON Solder Lugs .250 Tabs Wire Leads  
**LRA510 LRA511 LRA515**

#### 3 ACTUATOR COLOR

<b>translucent</b>	<b>clear</b>
<b>A</b> Amber	<b>A</b> Amber
<b>C</b> White	<b>C</b> Clear
<b>P</b> Yellow	<b>G<sup>1</sup></b> Green
<b>S</b> Red	<b>B<sup>1</sup></b> Blue
<b>W</b> Pale Red	<b>R</b> Red

#### 4 BEZEL COLOR/STYLE

<b>STANDARD</b>	<b>OVAL</b>
<b>B</b> Black (matte)	<b>1</b> Black (gloss)
<b>W</b> White (matte)	<b>2</b> White (gloss)

#### 2 ACTUATOR STYLE

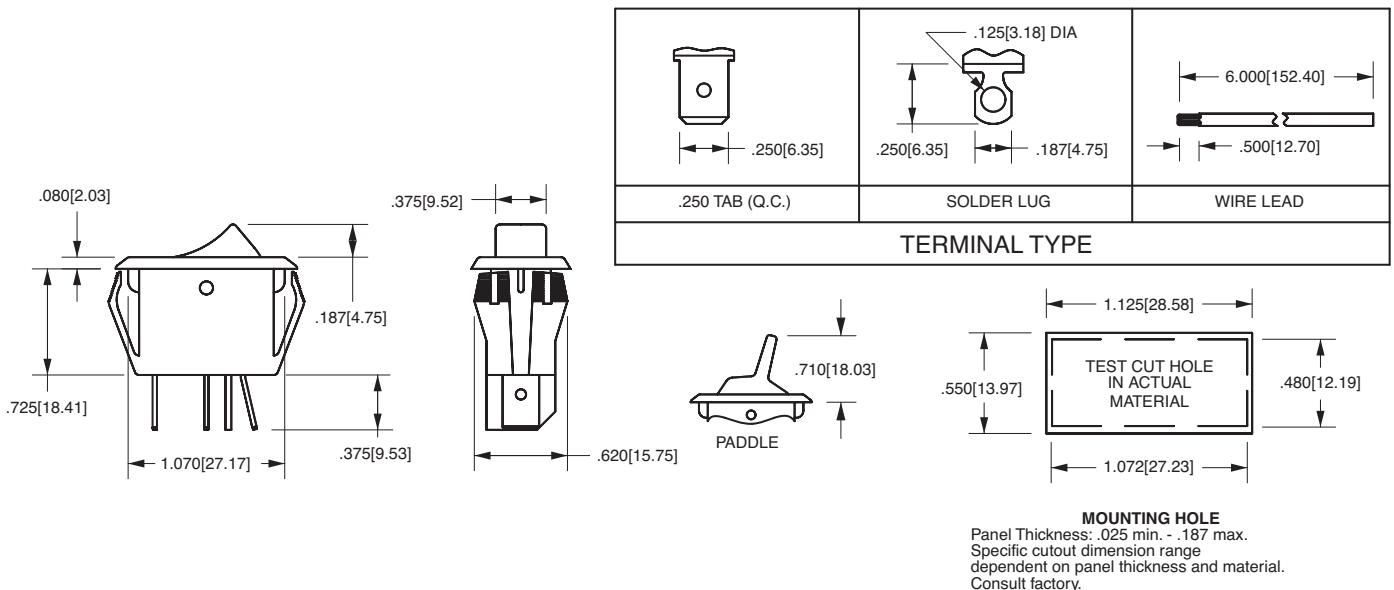
**P** Paddle  
**R** Rocker translucent  
**C** Rocker Clear

#### 5 LAMP VOLTAGE

**006V** 6 volts incandescent  
**012V** 12 volts incandescent  
**018V** 18 volts incandescent  
**024V** 24 volts incandescent  
**125N<sup>1</sup>** 125 volts neon  
**250N<sup>1</sup>** 250 volts neon

Notes:  
 LED illumination, PC terminals, independent lamps, and additional color options are available. Consult factory.

- 1 Neon lamps not available with blue or green actuators.
- 2 Consult factory for additional ratings.



\*Manufacturer reserves the right to change product specification without prior notice.