

LMR-Series

Mirror Rotate Control

As an extension of the L-Series family of control products, the LMR-Series provides the means to control one or two mirrors and up to four separate motors from one easy to operate joy stick control. When used in conjunction with our dimmer control and wiper/washer control, Carling Technologies provides a solution to most any dashboard control need within the Transportation market.



Carling Technologies®

Innovative Designs. Powerful Solutions.

Innovative Designs. Powerful Solutions.

Carling Technologies, Inc.
60 Johnson Avenue • Plainville, CT 06062-1177
Phone: (860) 793-9281 • Fax: (860) 793-9231
Email: sales@carlingtech.com • www.carlingtech.com

Actuator

4 axis joy stick style

Electrical

1A 14V; .5A 28V

Sealing

internal boot and potted wire leads protect critical components from dust and moisture

Termination¹

9" wire leads with Delphi-Packard connector #12047886³

Mechanism

Sliding contacts in conjunction with a circuit board

LMR - 01 - 1

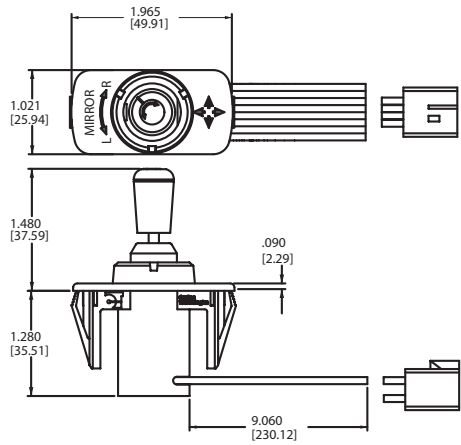
1 Base Part Number 2 Color 3 Legend

1 BASE PART NUMBER: SERIES/RATING/FUNCTION/TERMINATION
LMR 2 position (left, right), 4 axis (N,S,E,W) with wire leads

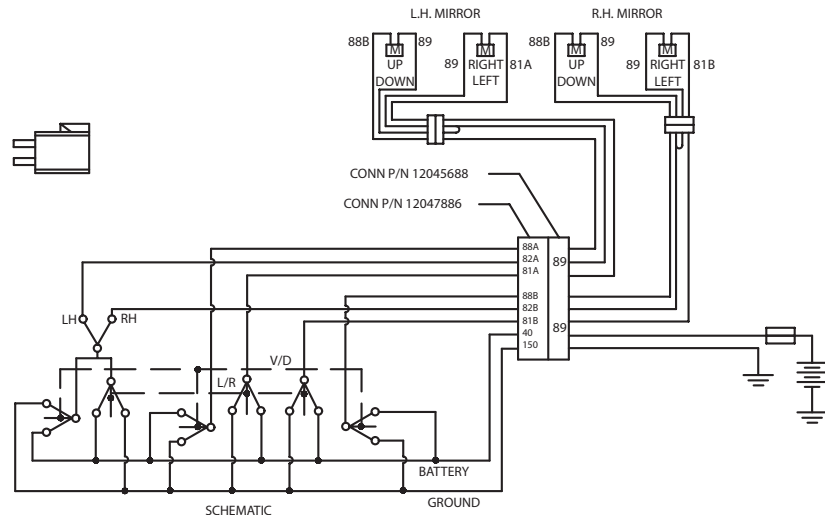
2 ACTUATOR /BRACKET COLOR
01 Black

3 LEGEND²
Z no legend
1 2 arrows symbol (left, right)
2 4 arrows symbol (front, back and left, right)

- Notes:
- 1 Compatible with Delphi-Packard #12045688.
 - 2 All legends are imprinted in white. All product supplied with Mirror L & R legend on top of bracket and detent and directional legend on actuator.
 - 3 Delphi-Packard is a registered trademark of Delphi-Packard Electrical Systems, Warren, Ohio.



WIRE	COLOR	CAV I.D.
40	ORANGE	A
81A	WHITE	B
82A	LT. BLUE	C
88A	YELLOW	D
88B	YEL-BLK ST.	E
82B	LT. BL-BLK ST.	F
81B	WHT-NLK ST.	G
150	BLACK	H



*Manufacturer reserves the right to change product specification without prior notice.